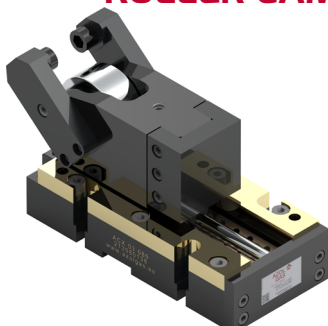


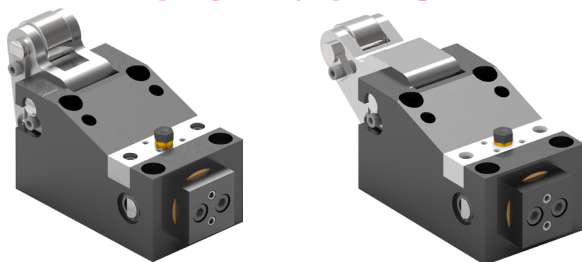
INDEX

ROLLER CAMS



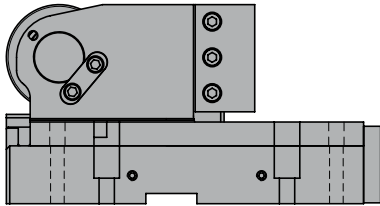
	FORCE (Tn)	03	05	07	15	16	20	Pag.
		STROKES						
01	ACX	50 80 100	50 80 100		50 80 100		50 80 100	II
02	FCX			50 80	50 80 100			III
03	JCX			50 80	50 80 100	50 80 100		IV
04	DRIVERS							V

PUNCHING UNITS

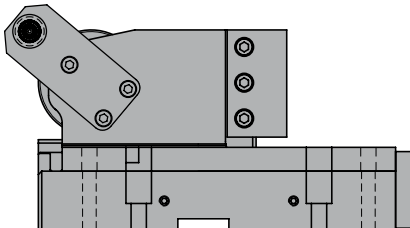


	FORCE (Tn)	03	05	07	10	Pag.
		STROKES				
04	NXR	20	30	40	50	VI
05	NXS	20	30	40	50	VI
06	NXC	20	30	40	50	VI
07	NXD	20	30	40	50	VI
08	DRIVERS					VII

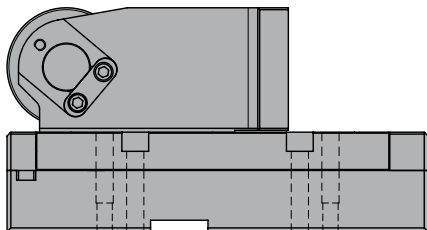
ACX



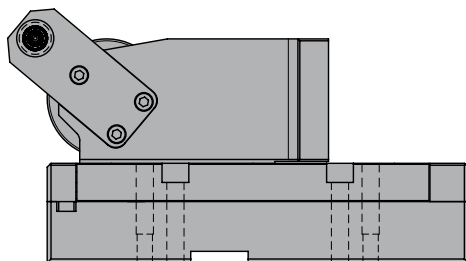
ACX	ACX 03	ACX 05	ACX 15	ACX 20
ACX __ 050	ACX 03 050	ACX 05 050	ACX 15 050	ACX 20 050
ACX __ 080	ACX 03 080	ACX 05 080	ACX 15 080	ACX 20 080
ACX __ 100	ACX 03 100	ACX 05 100	ACX 15 100	ACX 20 100



ACX + DRU	ACX 03	ACX 05	ACX 15	ACX 20
ACX __ 050 + DRU	ACX 03 050 + DRU	ACX 05 050 + DRU	ACX 15 050 + DRU	ACX 20 050 + DRU
ACX __ 080 + DRU	ACX 03 080 + DRU	ACX 05 080 + DRU	ACX 15 080 + DRU	ACX 20 080 + DRU
ACX __ 100 + DRU	ACX 03 100 + DRU	ACX 05 100 + DRU	ACX 15 100 + DRU	ACX 20 100 + DRU

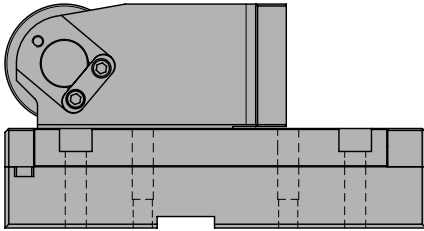


FCX	FCX 07	FCX 15
FCX __ 050	FCX 07 050	FCX 15 050
FCX __ 080	FCX 07 080	FCX 15 080
FCX __ 100	---	FCX 15 100

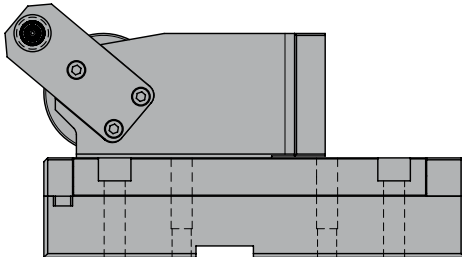


FCX + DRU	FCX 07	FCX 15
ACX __ 050 + DRU	FCX 07 050 + DRU	FCX 15 050 + DRU
ACX __ 080 + DRU	FCX 07 080 + DRU	FCX 15 080 + DRU
ACX __ 100 + DRU	---	FCX 15 100 + DRU

JCX

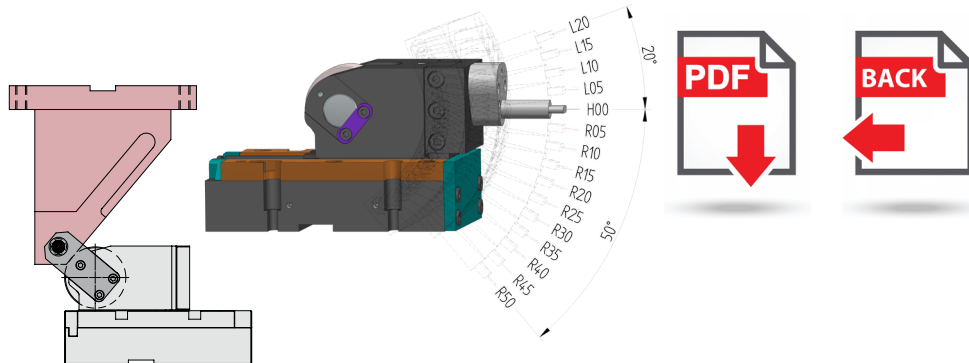


JCX	JCX 07	JCX 15	JCX 16
JCX __ 050	<u>JCX 07 050</u>	<u>JCX 15 050</u>	<u>JCX 16 050</u>
JCX __ 080	<u>JCX 07 080</u>	<u>JCX 15 080</u>	<u>JCX 16 080</u>
JCX __ 100	---	<u>JCX 15 100</u>	<u>JCX 16 100</u>



JCX + DRU	JCX 07	JCX 15	JCX 16
JCX __ 050 + DRU	<u>JCX 07 050 + DRU</u>	<u>JCX 15 050 + DRU</u>	<u>JCX 16 050 + DRU</u>
JCX __ 080 + DRU	<u>JCX 07 080 + DRU</u>	<u>JCX 15 080 + DRU</u>	<u>JCX 16 080 + DRU</u>
JCX __ 100 + DRU	---	<u>JCX 15 100 + DRU</u>	<u>JCX 16 100 + DRU</u>

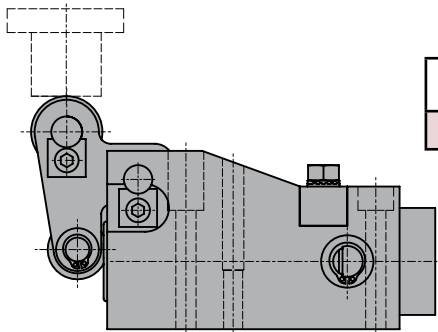
DR - DRIVER



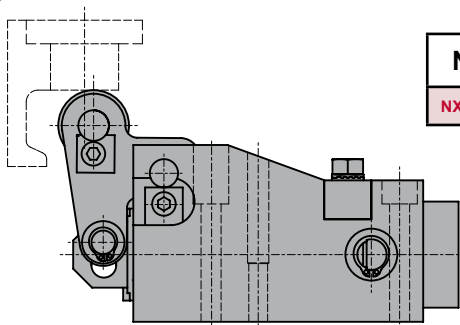
DR-A	DR-A-1 STROKE 50	DR-A-2 STROKE 80-100
L20	DR-A-1-L20	DR-A-2-L20
L15	DR-A-1-L15	DR-A-2-L15
L10	DR-A-1-L10	DR-A-2-L10
L05	DR-A-1-L05	DR-A-2-L05
H00	DR-A-1-H00	DR-A-2-H00
R05	DR-A-1-R05	DR-A-2-R05
R10	DR-A-1-R10	DR-A-2-R10
R15	DR-A-1-R15	DR-A-2-R15
R20	DR-A-1-R20	DR-A-2-R20
R25	DR-A-1-R25	DR-A-2-R25
R30	DR-A-1-R30	DR-A-2-R30
R35	DR-A-1-R35	DR-A-2-R35
R40	DR-A-1-R40	DR-A-2-R40
R45	DR-A-1-R45	DR-A-2-R45
R50	DR-A-1-R50	DR-A-2-R50

DR-B	DR-B-1 STROKE 50	DR-B-2 STROKE 80-100
L20	DR-B-1-L20	DR-B-2-L20
L15	DR-B-1-L15	DR-B-2-L15
L10	DR-B-1-L10	DR-B-2-L10
L05	DR-B-1-L05	DR-B-2-L05
H00	DR-B-1-H00	DR-B-2-H00
R05	DR-B-1-R05	DR-B-2-R05
R10	DR-B-1-R10	DR-B-2-R10
R15	DR-B-1-R15	DR-B-2-R15
R20	DR-B-1-R20	DR-B-2-R20
R25	DR-B-1-R25	DR-B-2-R25
R30	DR-B-1-R30	DR-B-2-R30
R35	DR-B-1-R35	DR-B-2-R35
R40	DR-B-1-R40	DR-B-2-R40
R45	DR-B-1-R45	DR-B-2-R45
R50	DR-B-1-R50	DR-B-2-R50

ROLLER CAMS AND PUNCHING UNITS



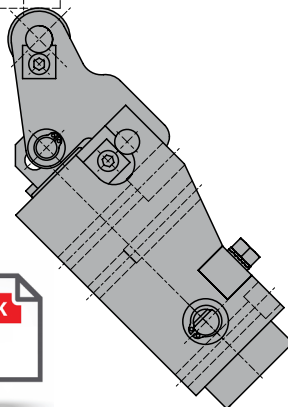
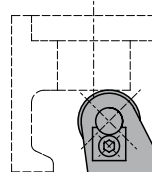
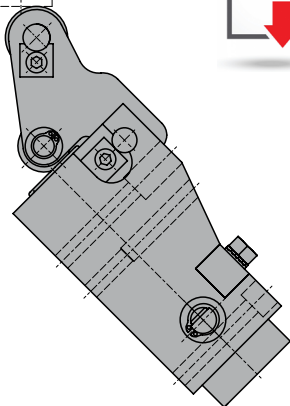
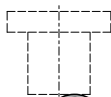
NXR	03 020	05 030	07 040	10 050
NXR ___	NXR 03 020	NXR 05 030	NXR 07 040	NXR 10 050



NXS	03 020	05 030	07 040	10 050
NXS ___	NXS 03 020	NXS 05 030	NXS 07 040	NXS 10 050



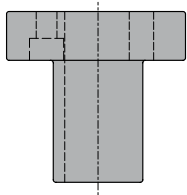
NXC	03 020	05 030	07 040	10 050
NXC ___	NXC 03 020	NXC 05 030	NXC 07 040	NXC 10 050



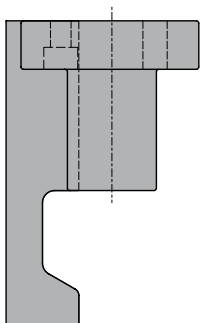
NXD	03 020	05 030	07 040	10 050
NXD ___	NXD 03 020	NXD 05 030	NXD 07 040	NXD 10 050



ROLLER CAMS AND PUNCHING UNITS



SA	03	05	07	10
SA _	SA 03	SA 05	SA 07	SA 10



SAS	03	05	07	10
SAS _	SAS 03	SAS 05	SAS 07	SAS 10



ROLLER CAMS AND PUNCHING UNITS

