

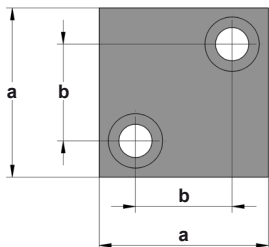
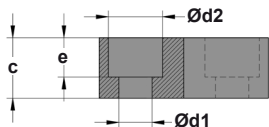
STRIKER PLATES

Hosed Systems

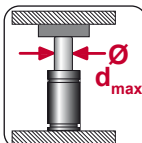


SPFI

STQ.70040



ORDER	Ø d _{max}	a mm inch	b mm inch	c mm inch	Ød1 mm inch	Ød2 mm inch	e mm inch
SPFI 001	15 0.59	40 1.57	21 0.83	15 0.59	9 0.35	15 0.59	10 0.39
SPFI 002	25 0.98	56 2.20	32 1.26	20 0.79	11 0.43	18 0.71	13 0.51
SPFI 003	50 1.97	71 2.80	48 1.89	20 0.79	11 0.43	18 0.71	13 0.51
SPFI 004	65 2.56	90 3.54	67 2.64	20 0.79	11 0.43	18 0.71	13 0.51
SPFI 005	95 3.74	140 5.51	110 4.33	20 0.79	11 0.43	18 0.71	13 0.51

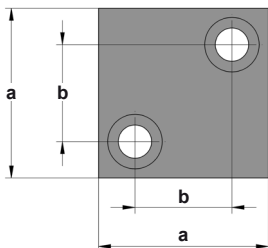
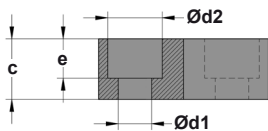


	ENG ORDER	
	DEU BESTELL	
	FRA COMMANDE	
	ITA ORDINE	
	ESP PEDIDO	
	POR PEDIDO	

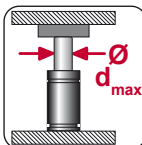
SPFI 001

SPVD

VDI 3003



ORDER	Ø d _{max}	a mm inch	b mm inch	c mm inch	Ød1 mm inch	Ød2 mm inch	e mm inch
SPVD 001	15 0.59	40 1.57	24 0.94	15 0.59	7 0.28	11 0.43	7 0.28
SPVD 002	50 1.97	70 2.76	50 1.97	15 0.59	9 0.35	15 0.59	9 0.35
SPVD 003	80 3.15	90 3.54	70 2.76	15 0.59	9 0.35	15 0.59	9 0.35

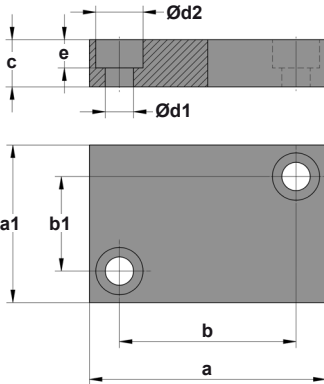


	ENG ORDER	
	DEU BESTELL	
	FRA COMMANDE	
	ITA ORDINE	
	ESP PEDIDO	
	POR PEDIDO	

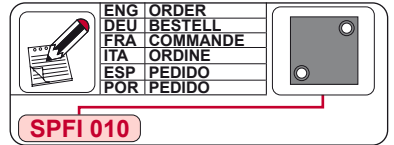
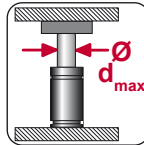
SPVD 001

SPFI

STQ.70040



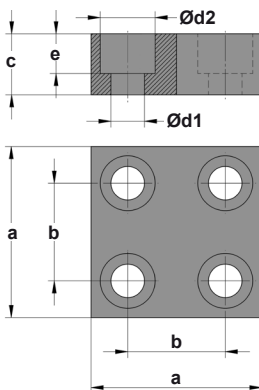
ORDER	$\varnothing d_{max}$	a (mm)	a1 (mm)	b (mm)	b1 (mm)	c (mm)	$\varnothing d_1$ (mm)	$\varnothing d_2$ (mm)	e (mm)
SPFI 010	15 0.59	50 1.97	25 0.98	32 1.26	8 0.31	12 0.47	7 0.28	11 0.43	7 0.28
SPFI 011	20 0.79	55 2.17	30 1.18	40 1.57	14 0.55	12 0.47	7 0.28	11 0.43	7 0.28
SPFI 012	25 0.98	70 2.76	35 1.38	48 1.89	14 0.55	15 0.59	9 0.35	15 0.59	9 0.35
SPFI 013	36 1.42	75 2.95	50 1.97	56 2.20	30 1.18	15 0.59	9 0.35	15 0.59	9 0.35
SPFI 014	50 1.97	85 3.35	60 2.36	66 2.60	40 1.57	15 0.59	9 0.35	15 0.59	9 0.35
SPFI 015	65 2.56	100 3.94	80 3.15	72 2.83	56 2.20	20 0.79	11 0.43	18 0.71	11 0.43
SPFI 016	95 3.74	110 4.33	100 3.94	85 3.35	75 2.95	20 0.79	11 0.43	18 0.71	11 0.43
SPFI 017	95 3.74	130 5.12	110 4.33	100 3.94	80 3.15	20 0.79	11 0.43	18 0.71	11 0.43



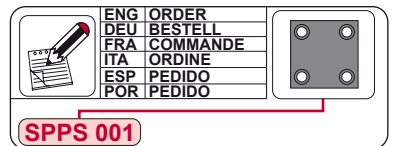
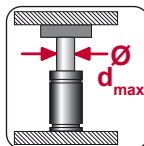
SPFI 010

SPPS

E24.54.815



ORDER	$\varnothing d_{max}$	a (mm)	b (mm)	c (mm)	$\varnothing d_1$ (mm)	$\varnothing d_2$ (mm)	e (mm)
SPPS 001	15 0.59	40 1.57	21 0.83	15 0.59	9 0.35	15 0.59	10 0.39
SPPS 002	25 0.98	56 2.20	32 1.26	20 0.79	11 0.43	18 0.71	13 0.51
SPPS 003	65 2.56	90 3.54	67 2.64	20 0.79	11 0.43	18 0.71	13 0.51
SPPS 004	95 3.74	140 5.51	110 4.33	20 0.79	11 0.43	18 0.71	13 0.51
SPPS 005	130 5.12	155 6.10	125 4.92	20 0.79	11 0.43	18 0.71	13 0.51



SPPS 001

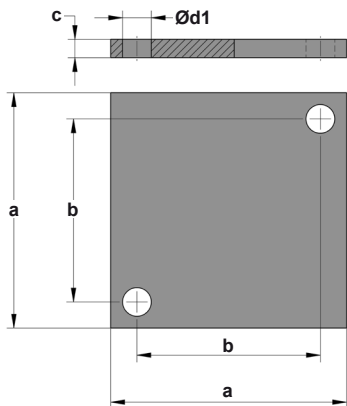
STRIKER PLATES

Hosed Systems

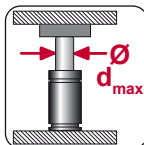


SPRE

EM24.54.700



ORDER	\varnothing d_{max}	a mm inch	b mm inch	c mm inch	$\varnothing d1$ mm inch
SPRE 010	45 1.77	70 2.76	50 1.97	3 0.12	11 0.43
SPRE 011	60 2.36	90 3.54	70 2.76	3 0.12	11 0.43

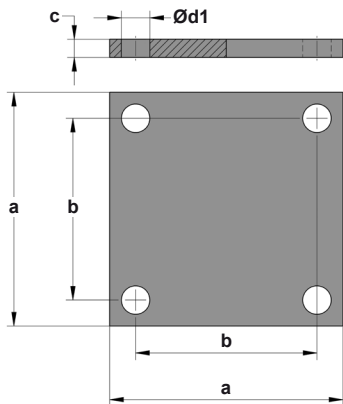


	ENG ORDER	
	DEU BESTELL	
	FRA COMMANDE	
	ITA ORDINE	
	ESP PEDIDO	
POR PEDIDO		

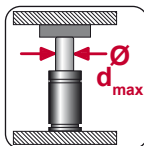
SPRE 010

SPRE

EM24.54.700

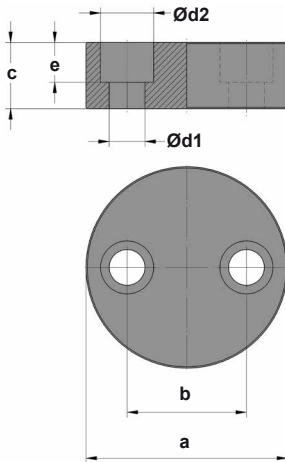


ORDER	\varnothing d_{max}	a mm inch	b mm inch	c mm inch	$\varnothing d1$ mm inch
SPRE 001	80 3.15	105 4.13	85 3.35	3 0.12	11 0.43
SPRE 002	95 3.74	125 4.92	105 4.13	3 0.12	11 0.43
SPRE 003	100 3.94	150 5.91	125 4.92	3 0.12	13 0.51
SPRE 004	130 5.12	190 7.48	165 6.50	3 0.12	13 0.51

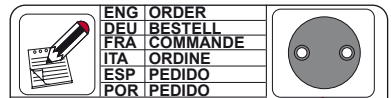
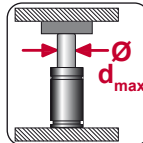
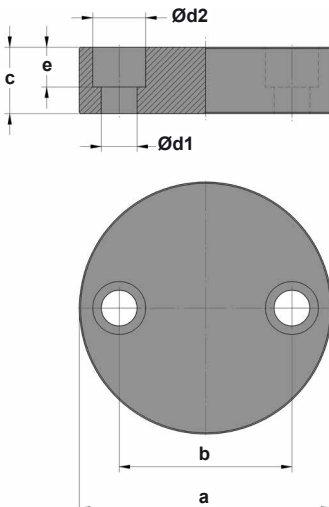


	ENG ORDER	
	DEU BESTELL	
	FRA COMMANDE	
	ITA ORDINE	
	ESP PEDIDO	
POR PEDIDO		

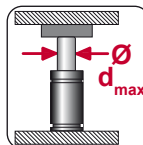
SPRE 001

SPFO
WDX35-80-3576


ORDER	Ø d _{max}	a mm inch	b mm inch	c mm inch	Ød1 mm inch	Ød2 mm inch	e mm inch
SPFO 001	25 0.98	76 2.99	45 1.77	25 0.98	13.5 0.53	20 0.79	15 0.59
SPFO 002	25 0.98	76 2.99	45 1.77	28 1.10	13.5 0.53	20 0.79	18 0.71
SPFO 003	25 0.98	76 2.99	45 1.77	31 1.22	13.5 0.53	20 0.79	21 0.83
SPFO 004	25 0.98	76 2.99	45 1.77	34 1.34	13.5 0.53	20 0.79	24 0.94
SPFO 005	25 0.98	76 2.99	45 1.77	37 1.46	13.5 0.53	20 0.79	27 1.06
SPFO 006	25 0.98	76 2.99	45 1.77	40 1.57	13.5 0.53	20 0.79	30 1.18


SPFO 001
SPFO
WDX35-80-3595


ORDER	Ø d _{max}	a mm inch	b mm inch	c mm inch	Ød1 mm inch	Ød2 mm inch	e mm inch
SPFO 010	45 1.77	95 3.74	65 2.56	25 0.98	13.5 0.53	20 0.79	15 0.59
SPFO 011	45 1.77	95 3.74	65 2.56	28 1.10	13.5 0.53	20 0.79	18 0.71
SPFO 012	45 1.77	95 3.74	65 2.56	31 1.22	13.5 0.53	20 0.79	21 0.83
SPFO 013	45 1.77	95 3.74	65 2.56	34 1.34	13.5 0.53	20 0.79	24 0.94
SPFO 014	45 1.77	95 3.74	65 2.56	37 1.46	13.5 0.53	20 0.79	27 1.06
SPFO 015	45 1.77	95 3.74	65 2.56	40 1.57	13.5 0.53	20 0.79	30 1.18


SPFO 010

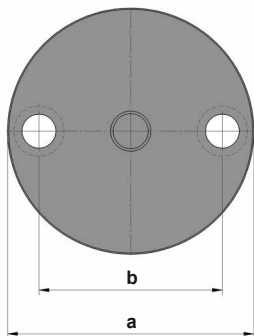
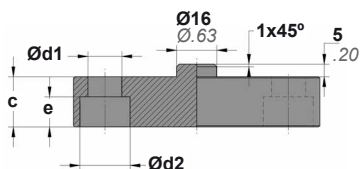
STRIKER PLATES

Hosed Systems

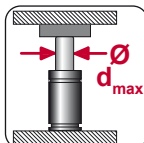


SPVW

39D 847



ORDER	Ø d _{max}	a mm inch	b mm inch	c mm inch	Ød1 mm inch	Ød2 mm inch	e mm inch
SPVW 001	50 1.97	98 3.86	73 2.87	20 0.79	13.5 0.53	20 0.79	12 0.47
SPVW 002	65 2.56	113 4.45	88 3.46	20 0.79	13.5 0.53	20 0.79	12 0.47
SPVW 003	80 3.15	128 5.04	103 4.06	20 0.79	13.5 0.53	20 0.79	12 0.47
SPVW 004	95 3.74	143 5.63	118 4.65	20 0.79	13.5 0.53	20 0.79	12 0.47

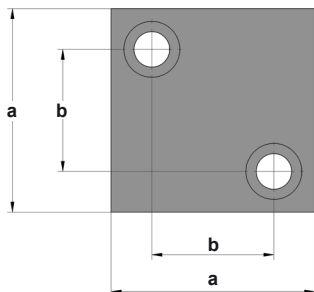
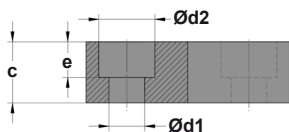


	ENG ORDER	
	DEU BESTELL	
	FRA COMMANDE	
	ITA ORDINE	
	ESP PEDIDO	
POR PEDIDO		

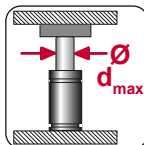
SPVW 001

SPVW

39D 847



ORDER	Ø d _{max}	a mm inch	b mm inch	c mm inch	Ød1 mm inch	Ød2 mm inch	e mm inch
SPVW 010	20 0.79	40 1.57	24 0.94	12 0.47	7 0.28	11 0.43	7 0.28
SPVW 011	36 1.42	60 2.36	40 1.57	15 0.59	9 0.35	15 0.59	9 0.35
SPVW 013	80 3.15	100 3.94	74 2.91	20 0.79	11 0.43	18 0.71	11 0.43



	ENG ORDER	
	DEU BESTELL	
	FRA COMMANDE	
	ITA ORDINE	
	ESP PEDIDO	
POR PEDIDO		

SPVW 010

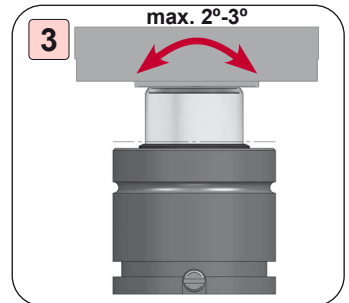
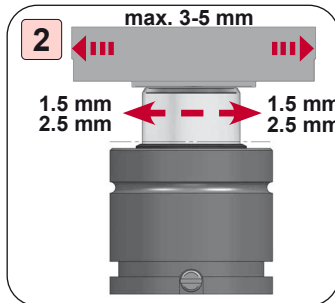
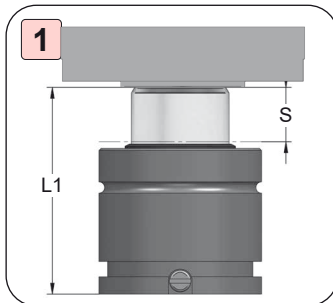


FP (FLEX PLATE)

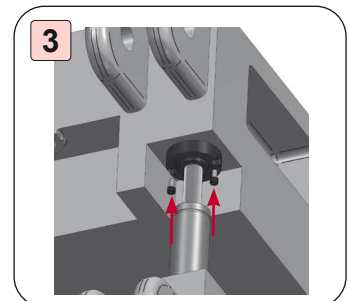
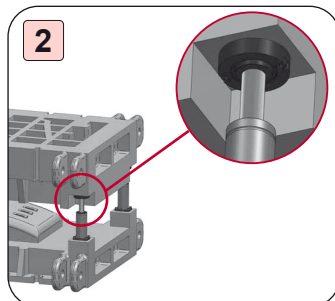
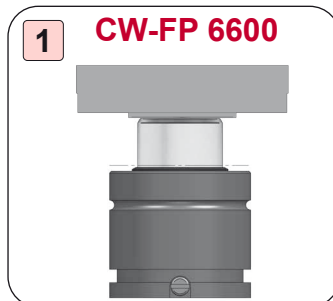
Hosed Systems

**TECHNICAL DATA**

- Range forces 1500 - 20000 daN.
- Fix with screws.
- Compact plate.
- Flexible support.

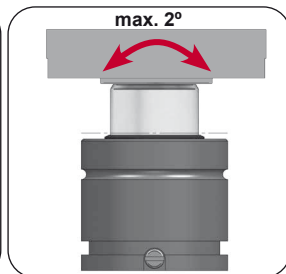
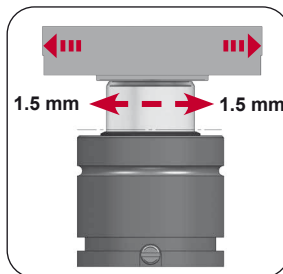
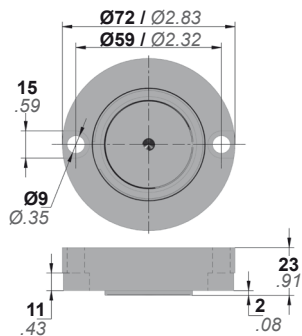
FLEX PLATE (SLIDING & SWINGING)

1. The use of FP system does not involve a variation of the dimensions of the gas spring, the location of the plate is inserted in the die itself.
2. Allows sideloads up to 3-5 mm.
3. Allows deviations from perpendicularity up to 2°-3°.

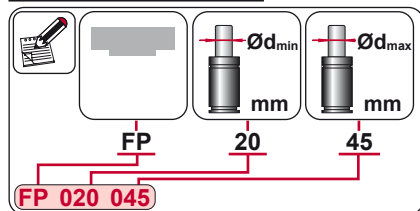
HOW TO ASSEMBLE

1. Check the gas spring model is suitable for use with the FP plate.
2. Verify that there is space enough to fit the FP plate into the tool.
3. Fix the FP plate to the die with screws.

FP 020 045



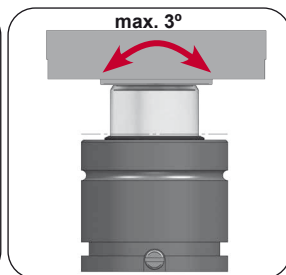
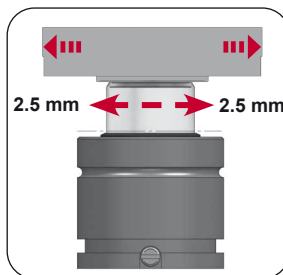
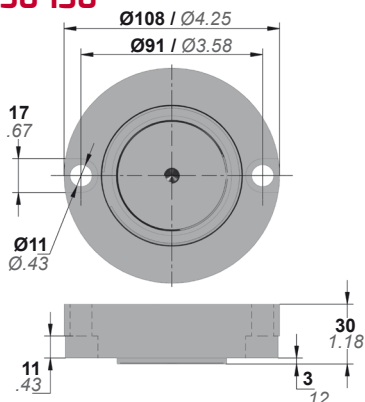
HOW TO ORDER



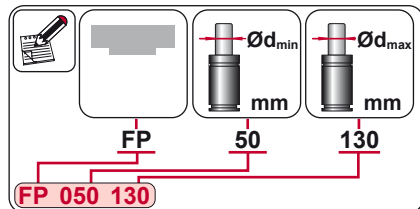
MODELS

MODEL	MODEL	MODEL	MODEL
AG 500	AG 750	KZ 1000 V1	KZ 1500
CD 500 V1	GN 750	CW 1000 V2	CW 1500 V1
FD 500	FD 750 V1	CK 1000 V3	CD 2400
KZ 500	CK 750 V2	AG 1500	KT 2400
CW 500 V1	KZ 750 V1	CD 1500 V2	KZ 2400
CM 500 V2	CW 750 V1	CM 1500 V2	CW 2400 V1
CT 500	CT 750	GN 1500	CM 2500 V1
CK 500	CD 1000 V1	FD 1500 V2	CK 2500 V1
CM 600 V1	CM 1000 V1	CK 1500 V2	
CD 700	CT 1000 V1	CT 1500 V1	
CT 700	KT 1000	KT 1500	

FP 050 130



HOW TO ORDER



MODELS

MODEL	MODEL	MODEL
CT 2500	CW 4200 V1	AG 7500
AG 3000	AG 5000	GN 7500
GN 3000	GN 5000	CD 9600
FD 3000	FD 5000 V1	KT 9500
CT 3000	CT 5000	CW 9500
CM 4000 V1	CM 6500 V1	CM 10000
CK 4000 V1	CD 6600	AG 10000
CD 4200	KZ 6600	CW 11800
KT 4200	KT 6600	CD 18500
KZ 4200	CW 6600	CW 20000